

AFS12-30

SANITARY MULTI CARTRIDGE HOUSING

Suitable for beverages, non-hazardous fluids or high purity fluids applications

The amafilter® AFS sanitary cartridge filter housing has been specifically designed for pharmaceutical and beverage applications.

The amafilter® AFS12-30 sanitary cartridge filter housing has available a specially designed with a multi-cartridge filter for sterile filter applications.

FEATURES

- Produced in stainless steel
- Hygienic and compact designed filter housing
- Suitable for 12, 18, 24 or 30 filter cartridges
- Filter housing can be fully drained
- Suitable for length 10", 20", 30" or 40" filter cartridges
- Externally mechanically polished
- Various instrument configurations possible
- Suitable for cartridges with end-cap configuration X7 or X3 and X8

STANDARD SPECIFICATIONS

- Design code: AD-2000
- PED 2014/68/EU: article 4 paragraph 3, other fluid groups available on request.
- Maximum vapor pressure: < 0.5 bar(g)
- Design pressure: -1 to 10 bar(g) at 40 °C and -1 to 4 bar(g) at 150 °C
- Operating pressure: depending on application
- Operating temperature : depending on application, filter cartridge and gasket
- All parts with fluid contact are stainless steel 316L
- Vessel material stainless steel 1.4404 (316L)
- Tri-clamp closing
- Three adjustable support legs
- One vent connection (1.5" clamp)
- Drain connections optional
- Internally mechanically polished ($R_a < 0.8 \mu\text{m}$)
- On-request internally mechanically polished ($R_a < 0.4 \mu\text{m}$) and/or electropolishing (internal/external) are possible
- O-ring sealing: standard silicone, FDA / BfR approved, other materials on request

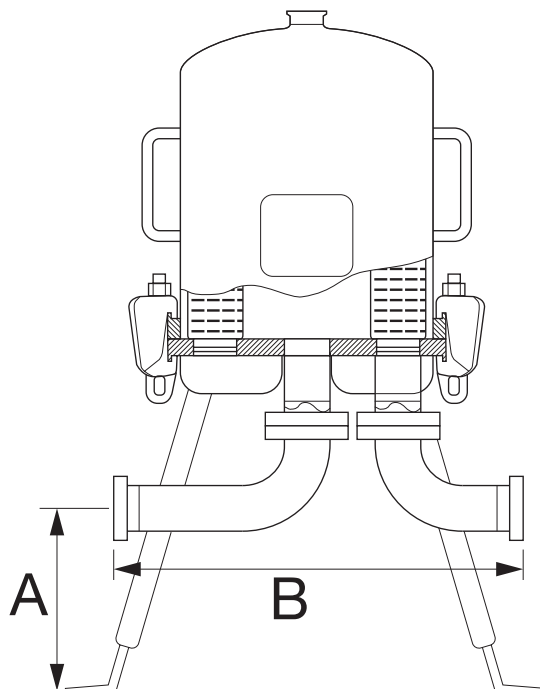


CUSTOMIZED REQUIREMENTS

We understand that our customers face complex processes and a standard filter housing may not be a suitable solution.

Our team of engineers can assist you find the perfect solution to your specific requirements.

Contact us at: www.amafiltration.com/contact-us/



DIMENSIONAL INFORMATION

	Cartridge Length	Number of Cartridges			
	in	12	18	24	30
Diameter	-	350	400	450	500
Total height (mm)	10	930	950	825	1000
	20	1180	1200	1075	1250
	30	1430	1450	1325	1500
	40	1680	1700	1575	1750
Additional height for lifting bowl (mm)	10	290	290	290	290
	20	540	540	540	540
	30	790	790	790	790
	40	1040	1040	1040	1040
Volume (dm ³)	10	41	54	73	118
	20	66	85	112	176
	30	89	115	151	235
	40	113	146	190	293
Total empty weight (kg)	10	58	59	85	93
	20	62	90	63	101
	30	66	95	68	109
	40	70	74	100	117

Mark	Description
A	Height inlet / outlet
B	Distance inlet /outlet

Dimensions are for reference only. Use dimensional drawing for installation purposes. Subject to technical alteration without prior notice

ORDERING INFORMATION

AFS12	-	4	-	2		M	-	2	-	7
Series		Cartridge Length		Inlet/Outlet Size		Inlet/Outlet Type		Drain Connections		Cartridge Style
AFS12 AFS18 AFS24 AFS30		1 = 10" 2 = 20" 3 = 30" 4 = 40"		2 = 2" / DN50 2.5 = 2.5" / DN65 3 = 3.0" / DN80 4 = 4.0" / DN100		B = Welded M = DIN 11851 male T = Clamp		0 = No drains 2 = 2 Drains (clamp 1.5")		7 = X7 and X6 8 = X8 and X3

