

S-AF1

PLASTIC SINGLE BAG FILTER HOUSING

Bag filters are used in the filtration of liquids containing high concentrations of coarse solids, where there are batches of different liquids and as end filtration or polishing liquids with minor concentration of solids.

In specific applications the use of a plastic bag filter housing may be a better option than a metal filter housing.

FEATURES

- Fluid does not come into contact with metal parts
- Suitable for standard filter bags
- Easy to use, smooth surface for easy cleaning
- Quick replacement of filter bags without additional tools
- The S-AF1 filter housing can be operated with all liquids belonging to PED fluid group 2 (article 3) if vapor pressure of 0.5 bar(g) is not exceeded

STANDARD SPECIFICATIONS

- PED 2014/68/EU: article 4 paragraph 3
- Maximum vapor pressure: < 0.5 bar(g)
- Maximum (operating) temperature: 90 °C at 1 bar
- Maximum (operating) pressure: 6 bar at 30 °C
- Filter housing material: polypropylene
- Available for size 1 and size 2 filter bags
- Closing bolts material: Plastic-covered metal bolts (1.4571)
- Vent valve: DN10
- O-ring material: standard FPM

BAG FILTER ELEMENTS

Filtration Group supply an extensive range of filter bags in different materials, pore sizes, dimensions and models for food & beverages and chemical applications, including: amaCarb , amaFine, amaGuard, amaLloy, amaPure, amaBond and amaTech filter cartridge ranges.

These ranges can be source from **Global Filter**, a brand of Filtration Group.

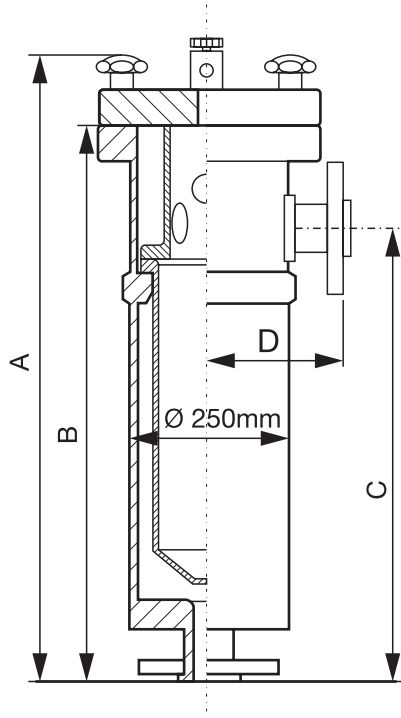


CUSTOMIZED REQUIREMENTS

We understand that our customers face complex processes and a standard filter housing may not be a suitable solution.

Our team of engineers can assist you find the perfect filtration solution to meet your specific requirements.

Contact us at: www.amafiltration.com/contact-us/



DIMENSIONAL INFORMATION

Model	A mm	B mm	C mm	D mm
Size 01				
Threaded style	747	657	542	182
Flange style	785	695	580	220
Size 02				
Screw-in DN50	1092	1002	889	182
Loose Flange DN50	1130	1040	927	220

Dimensions are for reference only. Use dimensional drawing for installation purposes.
Subject to technical alteration without prior notice

ORDERING INFORMATION

S-AF1	-	180		P	-	2F
Type		Dimensions		Material		Inlet / Outlet
S-AF1		90 = Size 1 180 = Size 2		P = Polypropylene		2 = 2" BSPP 2F = DN50 acc. EN1092/PN16

