

AFL1-S

SINGLE CARTRIDGE FILTER HOUSINGS

The AFL1 stainless steel cartridge filter housing is designed to accommodate a single filter cartridge.

The spring seal construction allows for small deviations in cartridge length. The closure avoids the need for using tools for changing the filter cartridge. The filter cartridge housings are suitable for filtering non-dangerous liquids and conforms to the PED 2014/68/EU article 4, paragraph 3.



FEATURES

- Suitable for a single DOE cartridge
- Closure with T-handle or with tri-clamp
- No tools required for changing the filter cartridge
- All stainless steel 316 construction
- Vent and drain plugs are standard
- Available on-request: single cartridge filter housing configuration suitable for X3 end-caps or with tri-clamp closure for DOE

FILTER CARTRIDGES

Global Filter, a Filtration Group company, supplies a wide range of filter cartridges in different materials, pore sizes, dimensions and models to fit in amafilter® housings as well as those of other manufacturers.

For details on the range available visit www.globalfilter.com

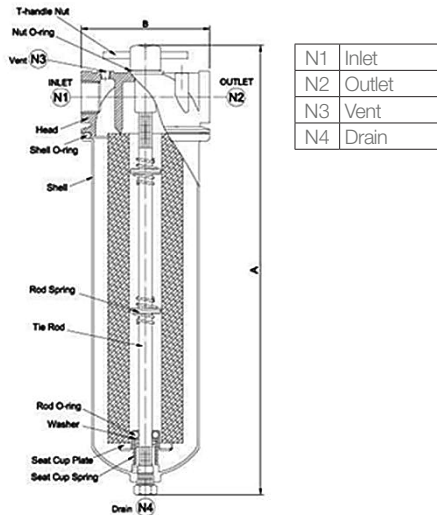
TYPICAL APPLICATIONS

- Filtration of water
- Filtration of chemical
- Filtration of food and beverages

STANDARD SPECIFICATION

- PED 2014/68/EU: article 4 paragraph 3
- Maximum vapor pressure: < 0.5 bar(g)
- Maximum (operating) pressure: 10 bar at 25 °C
- Maximum (operating) temperature: 90 °C
- Filter housing material: stainless steel 316
- Head: stainless steel 316
- O-ring material: standard FPM, available on-request EPDM
- Standard design: internal construction is designed to suit Double Open End (DOE) or X0, X4 or X9 filter cartridges

DIMENSIONAL INFORMATION



We understand that our customers face complex processes and a standard filter housing may not be a suitable solution.

Our range caters for the most demanding applications and includes horizontal & vertical pressure leaf filters, the Cricketfilter® as well as process filtration spares.

Our team of experts can assist you find the perfect solution to your specific requirements.

Model	A	B
AFL1-10	369	106
AFL1-20	623	106

Dimensions in mm except where noted.
Due to our continuing program of product improvement, dimensions and specifications are for reference only and subject to change without prior notice.

ORDERING INFORMATION

AFL1	-	10		S	-	1				RP
amafilter Series		Cartridge Length		Material		Inlet/Outlet Size		Configuration cover		Configuration Inlet/Outlet
AFL1 Single Cartridge Housing		10 10" (254 mm) 20 20" (508 mm)		S Stainless Steel 316		1/2 1/2" (not available for cover configuration X3 and CL) 3/4 3/4" 1 1"		blank T-handle closure for cartridge style DOE (standard) X3 Tri-clamp closure cartridge style for X3 end-caps CL Tri-clamp closure for cartridge style DOE		RP Thread (BSP) (standard) blank NPT threads

