

AFT7-28

TYPE OF CARTRIDGE / HOUSING

Suitable for (process) water applications

The amafilter® AFT series of cartridge filter housings have been designed, depending on the fluid rheology, to provide a cost effective solution for a broad range of applications, particularly in (process) water applications. The range is manufactured in stainless steel and conforms to PED2014/68/EU article 4, paragraph 3.

FEATURES

- Stainless steel cartridge housing
- The maximum temperature is 90°C
- Suitable for a wide range of end-cap configurations
 - Single Open End (SOE), with or without fin
 - Double Open End (DOE)
- Suitable for multiple filter cartridges
- Easy to use due to design and construction
- On-request a wide range of inlet/outlet options are possible

INTERNAL CONSTRUCTION DESIGN

- Double Open End X0, X4 and X9, tube guides and compression springs are supplied for quick and trouble free installation
- Single Open End, X3 end-cap configuration a compression plate is recommended

STANDARD SPECIFICATIONS

- According PED 2014/68/EU: article 4 paragraph 3
- Maximum vapor pressure: < 0.5 bar(g)
- Design pressure: 10 bar(g)
- Design temperature: 0 – 90 °C
- Maximum differential pressure design: 2.5 bar
- Maximum differential pressure operating: depending on type of filter cartridge is being used
- Operating temperature: depending on application, filter cartridge and gasket
- Suitable for 7 filter cartridges either with 10", 20", 30" or 40" length
- Filter housing material: 304 or 316 stainless steel
- V band clamp closure design
- O-ring sealing: standard EPDM, other materials on request

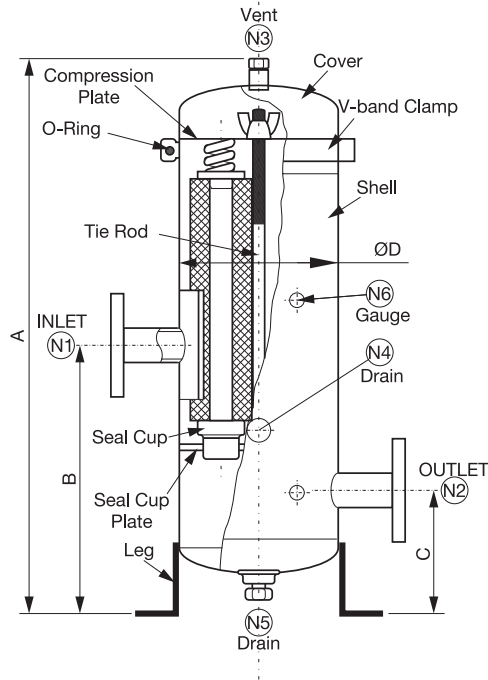


CUSTOMIZED REQUIREMENTS

We understand that our customers face complex processes and a standard filter housing may not be a suitable solution.

Our team of engineers can assist you find the perfect solution to your specific requirements.

Contact us at: www.amafiltration.com/contact-us/



DIMENSIONAL INFORMATION

Model	A	B	C	D
	mm	mm	mm	mm
AFT7	607	283	128	232
AFT14	861	283	128	232
AFT21	1115	283	128	232
AFT28	1379	283	128	232

Dimensions are for reference only. Use dimensional drawing for installation purposes.
Subject to technical alteration without prior notice

Mark	Description
N1	Inlet
N2	Outlet
N3	Vent
N4	Dirt drain
N5	Drain
N6	Gauge

ORDERING INFORMATION

AFT21	-	3	-	S	-	2F	
Series		Cartridge Length		Material		Inlet / Outlet	Cartridge Style
AFT7 = 7 Cartridges (10")		1 = 10"		A = SS 304		2 = RP2 - ISO7 - 2 (Standard)	No code = X0, X4 and X9
AFT14 = 7 Cartridges (20")		2 = 20"		S = SS 316		2F = DN50 acc. EN1092/PN16	X3 = X3, X8
AFT21 = 7 Cartridges (30")		3 = 30"					
AFT28 = 7 Cartridges (40")		4 = 40"					

