

Cricketfilter®

SEPTUM PLATE

The Cricketfilter® is a well-established automated filter system developed to combine the advantages of traditional pressure filter leaf and cartridge/candle filter systems, whilst avoiding their drawbacks.

The Cricketfilter® proven technology is the perfect solution for separating fine solids from fluids and can be found in installation across the world in Food & Beverages and Chemical applications.

The Cricketfilter® Septum range is an excellent solution for processes where space is limited, high flows are combined with limited amounts of solids or for limited flows. This range is ideal for most processes where a polish filter system is required. By using the standard type 1500mm length Cricketfilter® element, proven drain and top cloths can be used.

The Cricketfilter® Optimal design reduces maintenance interventions, improves the total cost of ownership and creates a safer working environment.

It is available as a standard in stainless steel 316L. Carbon steel and other special alloy materials, design pressures/temperatures and design codes can be provided on request.

BENEFITS OF THE CRICKETFILTER® AUTOMATED FILTRATION SYSTEM

Higher Flux

- 40% greater filtration area
- 40% more cake holding capacity than traditional shaped element

Maximises Installation Footprint

- Up to 20% reduction in footprint

High Quality and Reliability

- The Cricketfilter® stainless steel elements lifespan can extend up to 30 years before being replaced

Excels in Polishing Applications

- Ideal for solid content applications in comparison to existing pressure leaf filter systems

Reduced Operating Costs

- The Cricketfilter® filter cloths can have up to 2 years spare parts replacement cycles

Easy to Clean, Low Maintenance Interventions

- The Cricketfilter® uses air or gas pulses to efficiently clean the elements section by section

Optimal Drainability

- The Cricketfilter® elements are engineeringly designed to provide minimum fluid retention during regeneration ensuring optimal cleanness



CHARACTERISTICS

- No internal manifolds, therefore no spray nozzle or height indication needed. This results in a lower investment and less maintenance.
- Side outlet, ensuring a completely drainable septum.
- Improve safety by reducing the use of bag filters. The risk when opening bag filter housings is eliminated.
- Improved cloth mounting because of the use of the proven Cricketfilter® type element construction.
- Easy to connect several filters, saving on space and investment.
- Easy to automate, therefore low maintenance required.
- Very high cleanability due to less parts.

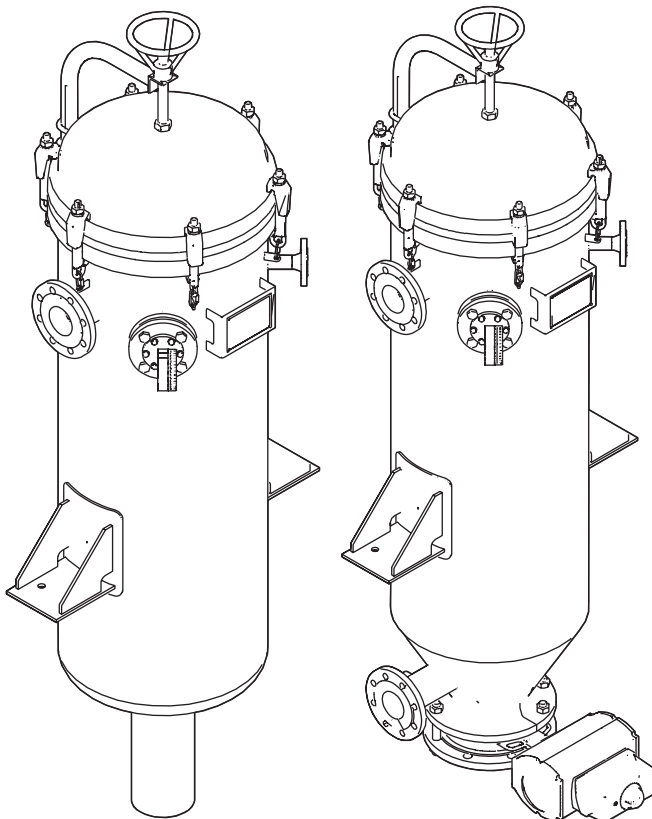
STANDARD DESIGN DATA

Criteria	Detail
Tank Material	Stainless Steel, others upon request.
Filter Elements Material	Stainless Steel
Design Pressure	-1/6 bar(g)
Design Temperature	-10/150 °C (depending on filter cloth)
Design Approval	ASME VIII Div.1, others upon request PED 2014/68/EU, SELO 02257 (China) , TR CU (EACU), U Stamp

PROPERTIES

Wet Cake Discharge	Dry Cake Discharge	Tank Diameter mm	Number of Elements	Leaf Spacing	Number of Brackets	Filtering Area m ²	Pulse vol. (l)		Cake Holding Capacity dm ³
							Wet Cake Discharge	Dry Cake Discharge	
CRI-S-273W-1,7/1500-50	CRI-S-273D-1,7/1500-50	273	5	50	2	1,7	25	50	14
CRI-S-406W-4,1/1500-70	CRI-S-406D-4,1/1500-70	406	12	70	2	4,1	50	100	70
CRI-S-406W-1,7/1500-90	CRI-S-406D-1,7/1500-90	406	5	90	2	1,7	50	50	43
CRI-S-508W-6,9/1500-50	CRI-S-508D-6,9/1500-50	508	20	50	2	6,9	50	200	55
CRI-S-508W-4,8/1500-70	CRI-S-508D-4,8/1500-70	508	14	70	2	4,8	50	100	82
CRI-S-610W-10,4/1500-50	CRI-S-610D-10,4/1500-50	610	30	50	4	10,4	100	400	83
CRI-S-610W-7,6/1500-70	CRI-S-610D-7,6/1500-70	610	22	70	4	7,6	100	200	129
CRI-S-610W-5,5/1500-90	CRI-S-610D-5,5/1500-90	610	16	90	4	5,5	100	200	138
CRI-S-711W-15,2/1500-50	Not available	711	44	50	4	15,2	100	400	121
CRI-S-711W-10,7/1500-70	CRI-S-711D-10,7/1500-70	711	31	70	4	10,7	100	400	182
CRI-S-711W-7,9/1500-90	CRI-S-711D-7,9/1500-90	711	23	90	4	7,9	100	200	198

OVERVIEW



Wet cake discharge

Dry cake discharge

OPTIONS

- Flange connection (DIN 11851 or ASME)
- High design pressure (-1/10 bar(g))
- Polished (welds are not ground. Ra 0.8 according to DIN 11851)
- Prepared for insulation (insulation rings 50 mm)
- Support legs
- Range of gasket materials (EPDM, NBR, Viton, other materials upon request)
- Equipment package (pressure gauge, 2 pressure transmitters and 2 level switches)
- Filtration Group BV Process Engineering Package
- T piece for wet discharge filter for feed and discharge

