

# AFK6-24

## MULTI CARTRIDGE FILTER HOUSINGS

Suitable for hazardous and non-hazardous fluids applications

The amafilter® AFK6-24 multi cartridge filter housing is suitable for all industrial liquid and gas applications and conforms to PED 2014/68/EU.

The AFK6-24 series is manufactured in stainless steel. The four models, AFK6, AFK12, AFK18 and AFK24, are the smaller size models within the AFK range and suit various flow rates.

### FEATURES

- Manufactured in stainless steel
- No internal moving parts to allow for easy access and reducing the cost of maintenance.
- Easy-to-use cover closure.
- Fully drainable filter housing.
- Available from stock

### STANDARD SPECIFICATIONS

- Design code: AD-2000
- According to PED 2014/68/EU
- Design pressure: -1/ 10 bar(g)
- Design temperature: -10/ 150 oC
- Maximum differential pressure design: 2.5 bar
- Maximum differential pressure operating: depending on the type of filter cartridge that is being used
- Operating temperature: depending on the application, filter cartridge, and gasket
- Filter housing material: 1.4571 (316Ti)
- Flat cover with handle, closing with hinged eye-bolts and eye nuts
- Supported by three legs (fixed)
- Protected surface by pickling and passivation
- O-ring sealing: standard NBR (Buna-N), other materials on request

### INTERNAL CONSTRUCTION DESIGN

- Double Open End X0, X4 and X9, tube guides and compression springs are supplied for quick and trouble free installation
- Single Open End, X3 end-cap configuration a compression plate is recommended

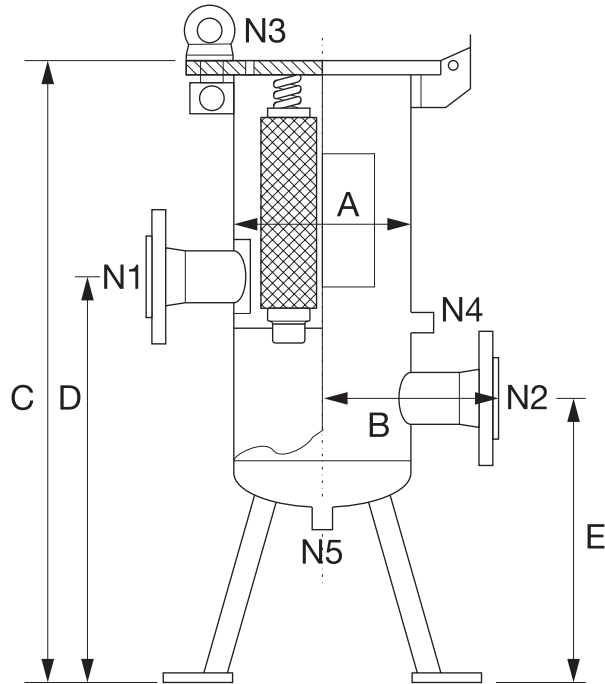


### CUSTOMIZED REQUIREMENTS

We understand that our customers face complex processes and a standard filter housing may not be a suitable solution.

Our team of engineers can assist you find the perfect solution to your specific requirements.

Contact us at: [www.amafiltration.com/contact-us/](http://www.amafiltration.com/contact-us/)



### DIMENSIONAL INFORMATION

Model	A	B	C	D	E	Volume	Weight
	mm	mm	mm	mm	mm	dm <sup>3</sup>	kg
AFK6	219	210	750	500	350	19	31
AFK12	219	210	1010	500	350	28	35
AFK18	219	210	1265	500	350	38	39
AFK24	219	210	1540	500	350	47	44

Mark	Description
N1	Inlet (DN50 EN1092-1 PN16)
N2	Outlet (DN50 EN1092-1 PN16)
N3	Vent (Rp <sup>1</sup> / <sub>4</sub> - ISO7-1)
N4	Dirt drain (Rp <sup>1</sup> / <sub>2</sub> - ISO7-1)
N5	Clean drain (Rp <sup>1</sup> / <sub>2</sub> - ISO7-1)

Height required for changing cartridges is C plus cartridge length.  
 Dimensions are for reference only. Use dimensional drawing for installation purposes.  
 Subject to technical alteration without prior notice

### ORDERING INFORMATION

**AFK12** - **2** **T** - **2F**

Series	
AFK6	6 cartridges 10"
AFK12	6 cartridges 20"
AFK18	6 cartridges 30"
AFK24	6 cartridges 40"

Cartridge Length
1 = 10"
2 = 20"
3 = 30"
4 = 40"

Material
T = 316Ti (1.4751)
TY = 316Ti (1.4571) with stainless steel bolts and nuts

Inlet / Outlet
2F = DN50 acc. EN10921/PN16
2FA = ASME B16.5 150 lbs RF (on request)

09/01/2024



SCAN ME