

AFZ-C

AFZ-C BAG FILTER HOUSING

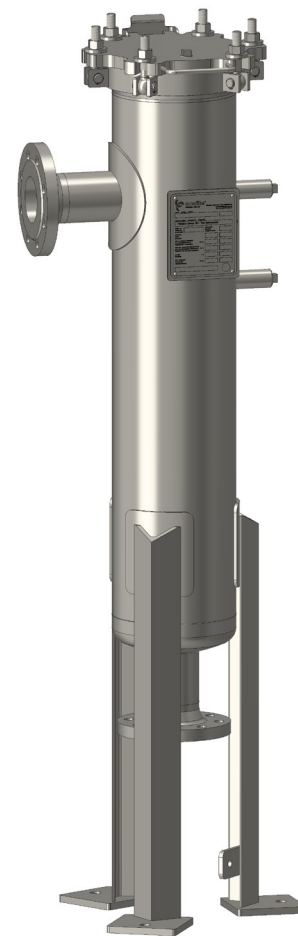
Suitable for hazardous and non-hazardous liquids and gaseous media

Amafilter® offer a wide range of bag filter housings. Bag filter housings are an easy to use and cost effective product for the filtration of liquids containing higher concentrations of coarse solids. They are particularly beneficial when handling batches of various liquids. Amafilter® bag filter housings can be used as end-filtration or for the polishing of liquids with extremely low concentrations of solids.

The Amafilter® AFZ-C bag filter housing is suitable for filtering hazardous (non-lethal) and non-hazardous liquids and gaseous media as per the PED2014/68/EU directive. It is designed to endure harsh conditions in the chemical and oil and gas industries. Engineered with a maximum pressure of 16 bar, temperature capacity of 200°C, and nut and groove cover design, it ensures durability under the toughest conditions.

FEATURES

- Easy to use, providing maximum sealing and accessibility.
- Withstands temperatures up to 200°C.
- Maximum pressure up to 16 bar.
- Stainless steel cover closure with galvanised steel hinged eye bolts and nuts galvanised steel. Stainless steel eye bolts and nuts are on request.
- Flat cover with hinge and handle.
- Cover sealing with groove and nut, with a flat PTFE gasket.
- The gasket is provided with: EC1935/2004/FDA and TA-Luft
- Basket O-ring sealing: standard FPM. Other materials available on demand.
- Durable stainless steel metal mesh support basket for low flow resistance and maximum utilisation of the entire surface area.
- Slightly conical support basket for easy filter bag removal.
- Liquid displacement cover: leak proof for complete seal when opening the filter.
- Liquid displacement cover: when opening the cover, the liquid level lowers significantly reducing the chance of spills.
- Perfect sealing between unfiltered liquid and filtered liquid is achieved by a spring-loaded hold-down device onto the filter bag and support basket.
- The filter bag seals with a feltcovered snap- collar ring or plastic seal which tightly fits into the support basket.
- Insulation rings (optional).
- Hexagon nuts are standard.
- Nozzles for differential pressure measurement.



STANDARD SPECIFICATIONS

Design pressure:	-1 / 16 bar(g)
Design temperature:	-1 / 200 °C
Operating temperature:	Depending on the filter media and gaskets used
Design:	ASME VIII Division 1
Approval:	PED 2014/68 U-stamp is possible, on request

SPECIAL MODELS TO SUIT CUSTOMER REQUIREMENTS

Non standard designs and materials are available on request.

OPTIONS

Heating Jacket

Available on request.

Strainer baskets

The filter housings can be equipped with stainless steel filter baskets in several mesh sizes. The filter housings can then be used as strainers.

Liquid displacer units

Available to reduce the liquid volume inside the filter bags.

Legs

Different heights for legs or brackets are available on request.

Nuts

Eye nuts are available on request.

MAXIMUM DIFFERENTIAL PRESSURE

Design : 4.0 bar

Operating : 2.5 bar

DIMENSIONS

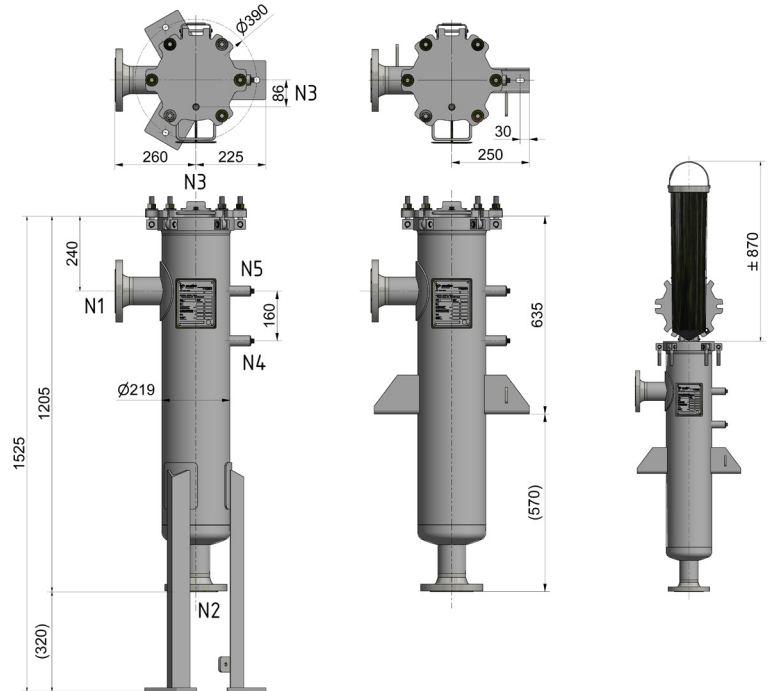
Nozzle specification

N1 : Inlet

N2 : Outlet

N3 : Vent 1/2"

N4 and N5 : Differential pressure connections: 1/2"



STANDARD DIMENSIONS:

On the right: Filter with legs
On the left: Filter with brackets.

DIMENSIONAL INFORMATION

SIZE	DIAMETER	VOLUME	WEIGHT
mm	mm	dm ³	kg
180	219	35	MAX. 125

Dimensions are for reference only. Use dimensional drawing for installation purposes. Subject to technical alteration without prior notice.

ORDERING CODE

AFZ-C 180	-	L	-	2F	-	Support	-	Extra Options
Type Size		Material		Inlet/Outlet		Legs		Option
180 = for bag size 2		L = 316L(1.4404)		2F = DN50 acc. EN1092/PN40		LG = Leg welded (3 pieces)		I = Insulation ring
				2FA = 2" ASME B16.5 300 lbs RF		BR = Bracket (2 pieces)		
				2.5F = DN65				
				2.5FA = 2 1/2"				
				3F = DN80 acc. EN1092/PN40				
				3FA = 3" ASME B16.5 300 lbs RF				

